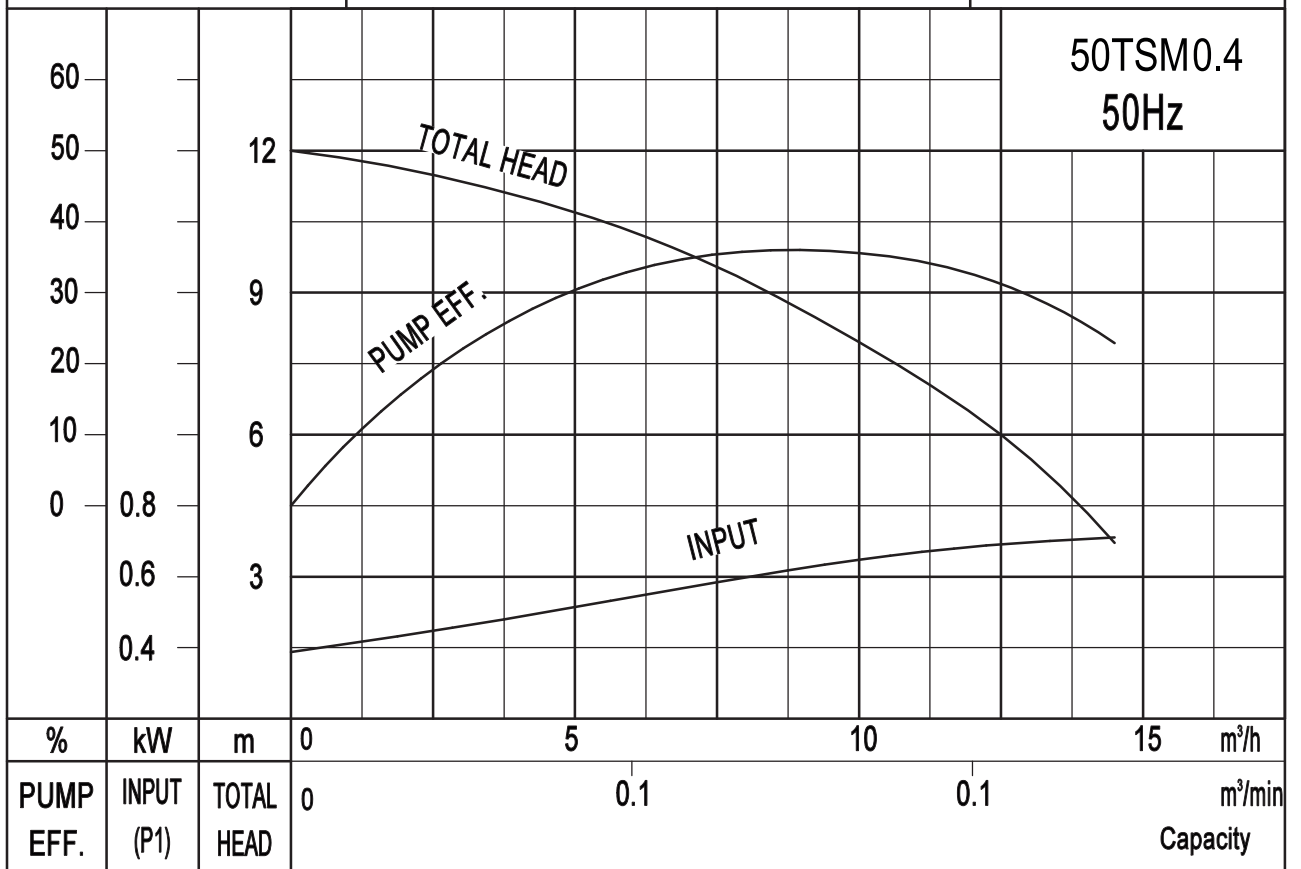


PUMP PERFORMANCE CURVES

TYPE: SUBMERSIBLE DRAINAGE PUMP MODEL: 50TSM0.4 FREQUENCY: 50Hz

STANDARD SPECIFICATIONS

DISCHARGE BORE	50 mm	
HEAD	Max: 12 m	Rated: 10 m
CAPACITY	Max: 0.24 m ³ /min	Rated: 0.13 m ³ /min
MOTOR OUTPUT	0.4 kW	
PHASE x VOLTAGE	1 Øx 220 V	
CURRENT	3.0 A	
POLES/REVOLUTION	2 P/ S.S.2850 min ⁻¹	
STARTING METHOD	Direct-on-line start	
INSULATION CLASS	F	

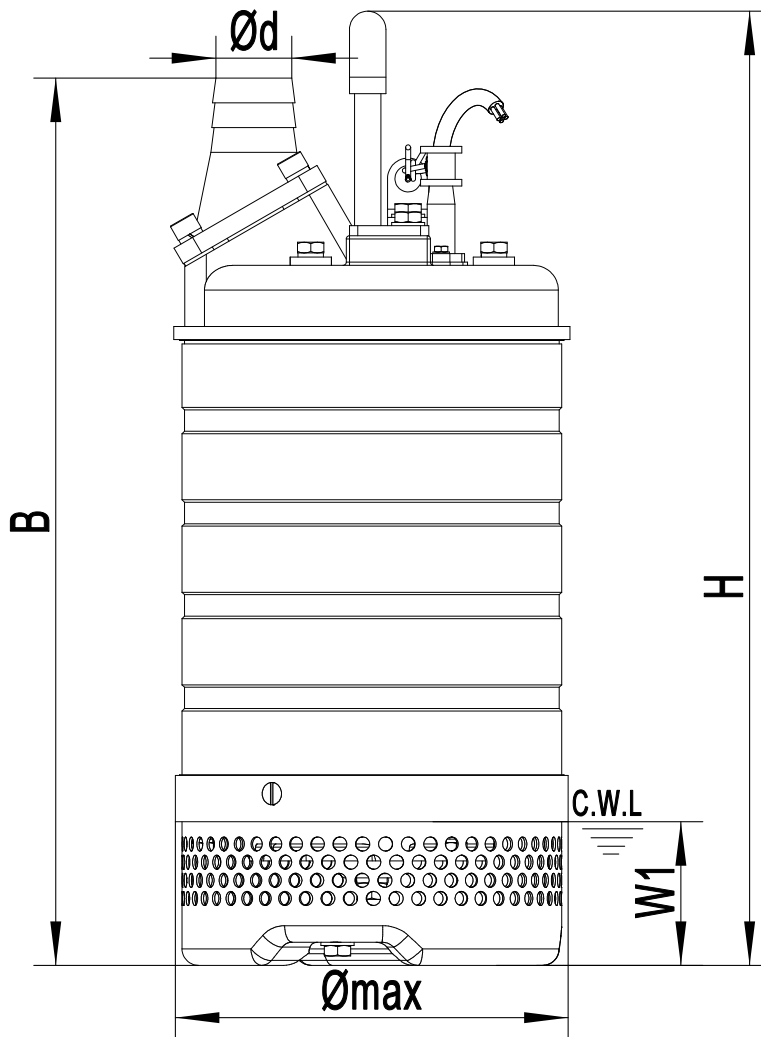


SOLIDPUMP EUROPE SIA

DIMENSION DRAWING

TYPE: SUBMERSIBLE DRAINAGE PUMP

MODEL: 50TSM0.4



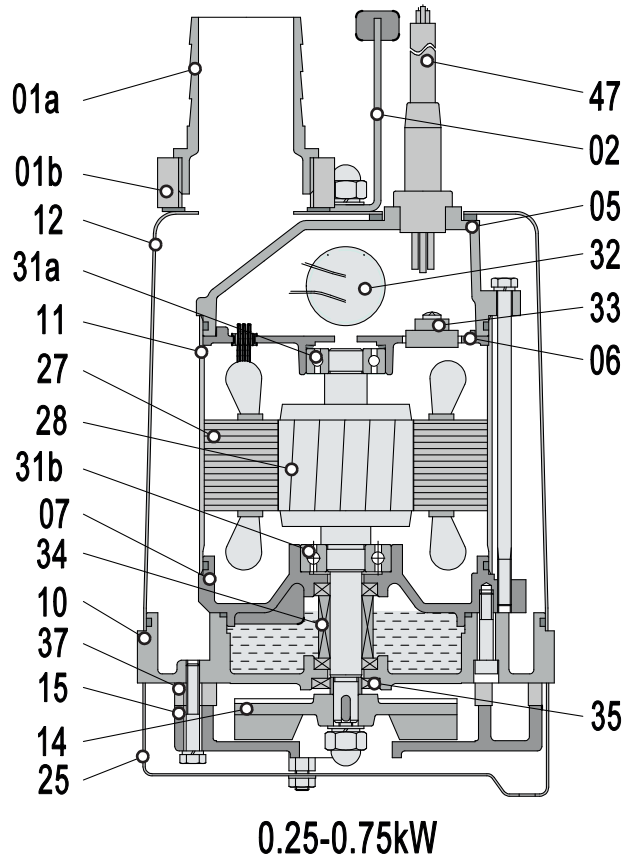
W1:Continuous running water level

Model	H	B	Ømax	W1	N.W kg	Model	H	B	Ømax	W1	N.W kg
50TSM0.25	345	342	184	50	14	80TS3.7	515	591	300	76	60
• 50TSM0.4	345	342	184	50	15	100TS3.7	515	616	300	76	58
50TSM0.75	365	362	184	50	17	80TS5.5	555	631	300	76	60
50TSM1.5	582	560	240	87	37	100TS5.5	555	656	300	76	59
80TSM1.5	582	567	240	87	37	50TS3.7 (F)	565	641	300	76	61
50TS1.5	563	540	240	87	37	80TS3.7 (F)	565	641	300	76	66
80TS1.5	563	547	240	87	39	100TS3.7 (F)	565	666	300	76	68
50TS2.2	563	540	240	87	37	80TS5.5 (F)	605	681	300	76	67
80TS2.2	563	547	240	87	39	100TS5.5 (F)	605	706	300	76	69
50TS1.5 (F)	613	590	240	87	40	100TS7.5	700	810	355	142	108
80TS1.5 (F)	613	597	240	87	42	100TS7.5	700	810	355	142	110
50TS2.2 (F)	613	590	240	87	40	100TS11	745	855	355	142	123
80TS2.2 (F)	613	597	240	87	42	150TS11	745	855	355	142	125
50TS3.7	515	591	300	76	58						

B:The height from pump's bottom to outlet
 H:The height from pump's bottom to handle's top

DIMENSION DRAWING
TYPE: SUBMERSIBLE DRAINAGE PUMP

MODEL: 50TSM0.4



Item No.	Part name	Material
01a	Hose coupling	ABS
01b	Hose coupling	PA66
02	Handle	Rubber&AISI304SS
05*	Upper cover	Cast iron
06	Up-Bearing house	Aluminum die casting
07*	Bearing house	Cast iron
10*	Seal house	Cast iron
11	Motor casing	AISI304SS
12	Outer casing	AISI304SS
14*	Impeller	Ductile iron
15*	Diffuser	Cast iron
25	Strainer	AISI304SS
27	Stator	
28	Rotor	Shaft:AISI304SS
31a	Bearing	Ball bearing
31b	Bearing	Ball bearing
32	Capacitor	
33	Motor protector	
34	Mechanical seal	Ceramic-Sic/Carbon-Ceramic
35	Oil seal	
37	Gasket	NBR
47	Cable	Length 8 m H07RN-F

*Optional:AISI304SS

Specifications can be changed without notice

Solidpump Europe SIA

Uriekstes iela 14a
 Rīga, LV-1005
 LATVIA

Tel.: + 371 66164228
 E-mail: info@solidpump.com
 www.solidpump.com

SOLIDPUMP EUROPE SIA